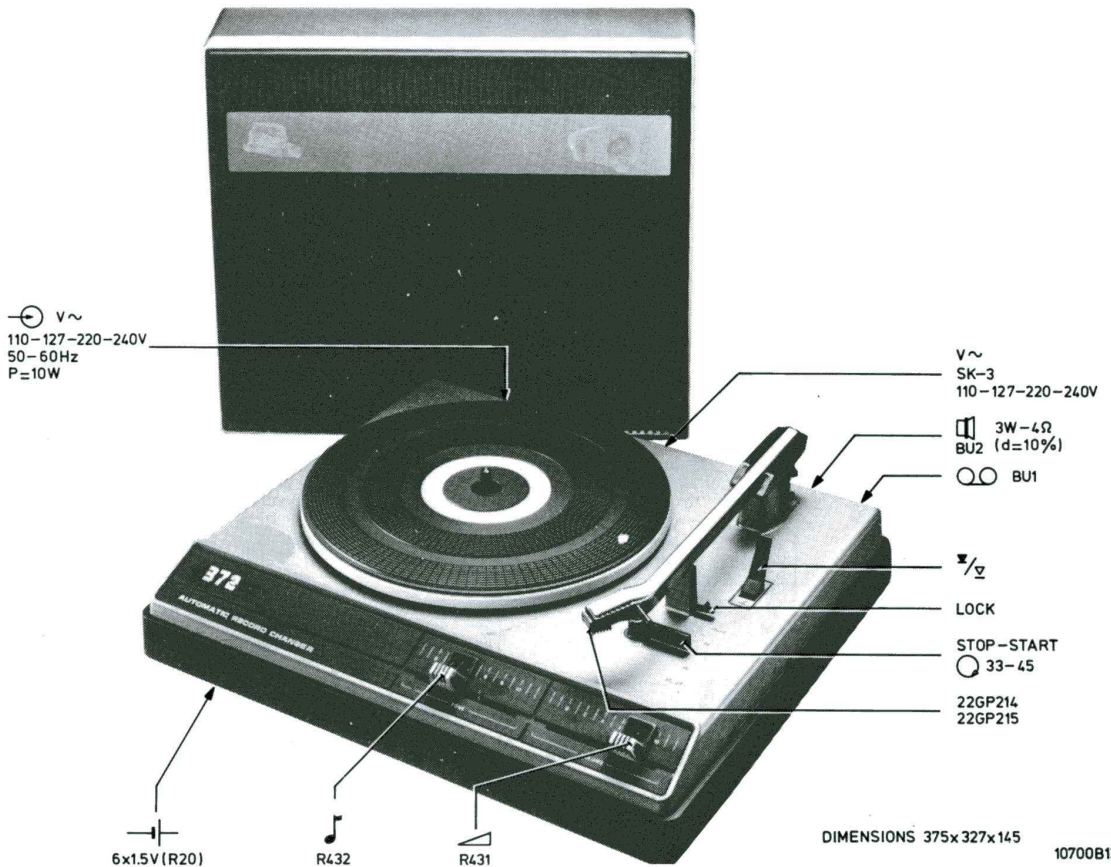


Service  
Service  
Service

# Service Manual

For record changer see 22GC051/R version



Safety regulations require that the set be restored to its original condition and that parts which are identical with those specified, be used.

Documentation Technique Service Dokumentation Documentazione di Servizio Huolto-Ohje Manual de Servicio Manual de Servicio



Subject to modification  
4822 726 11776  
Printed in The Netherlands

**PHILIPS**

CS56448

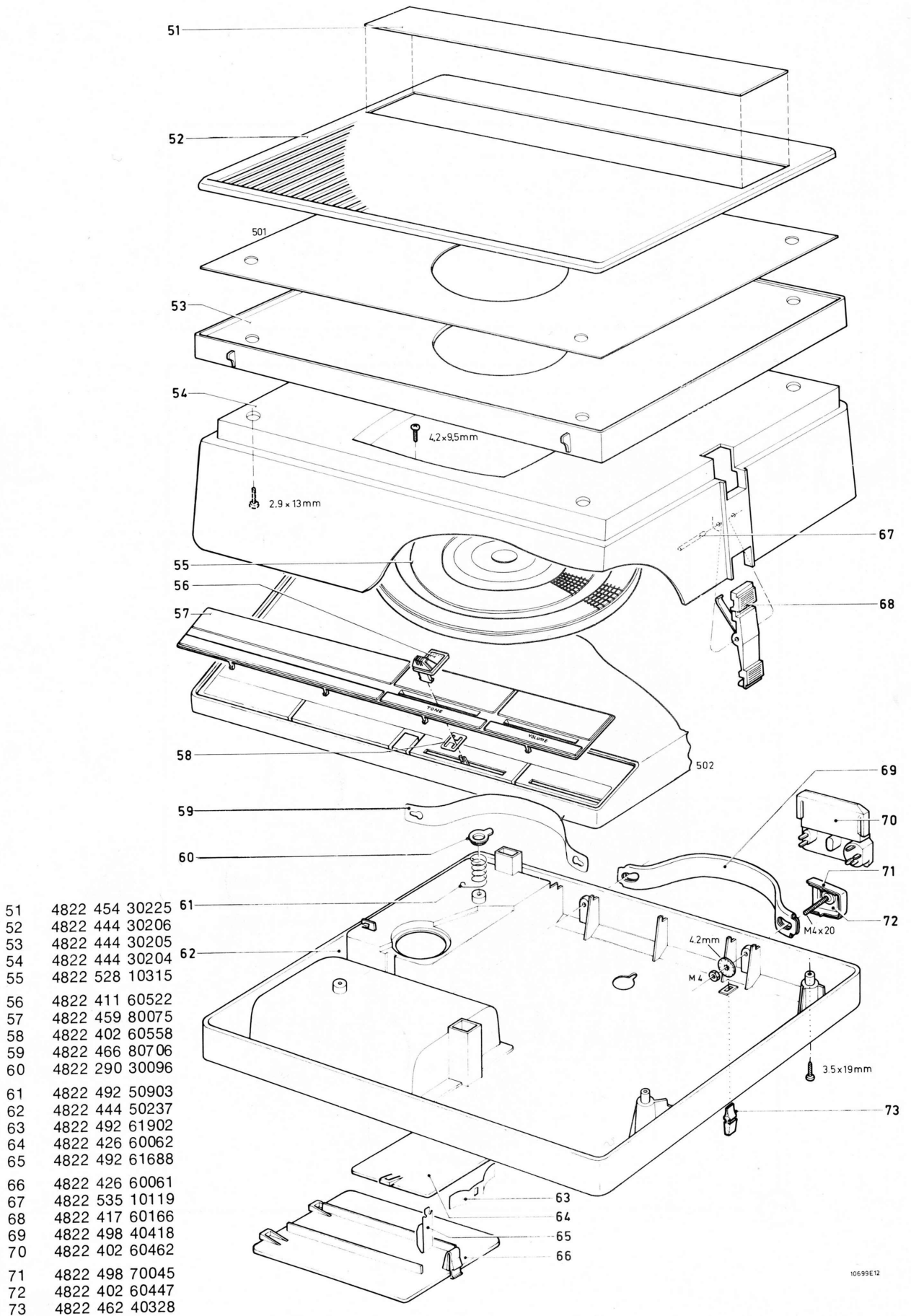


Fig. 3

C	701	702	703	713	709	715	706	705	704	708	713	707	711	712
R	501	502	431	502	431	502	518	503	505	428	509	517	429	
MISC														

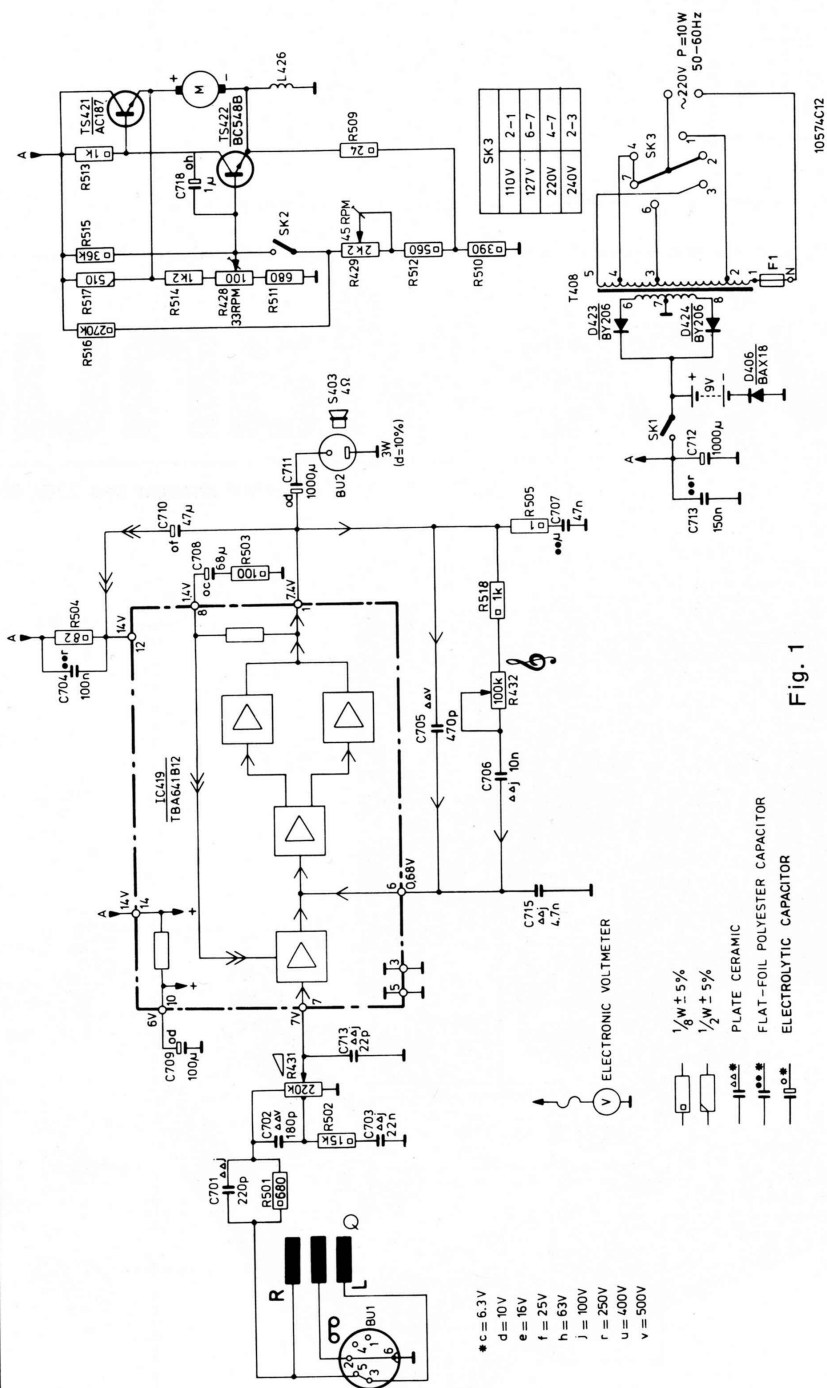
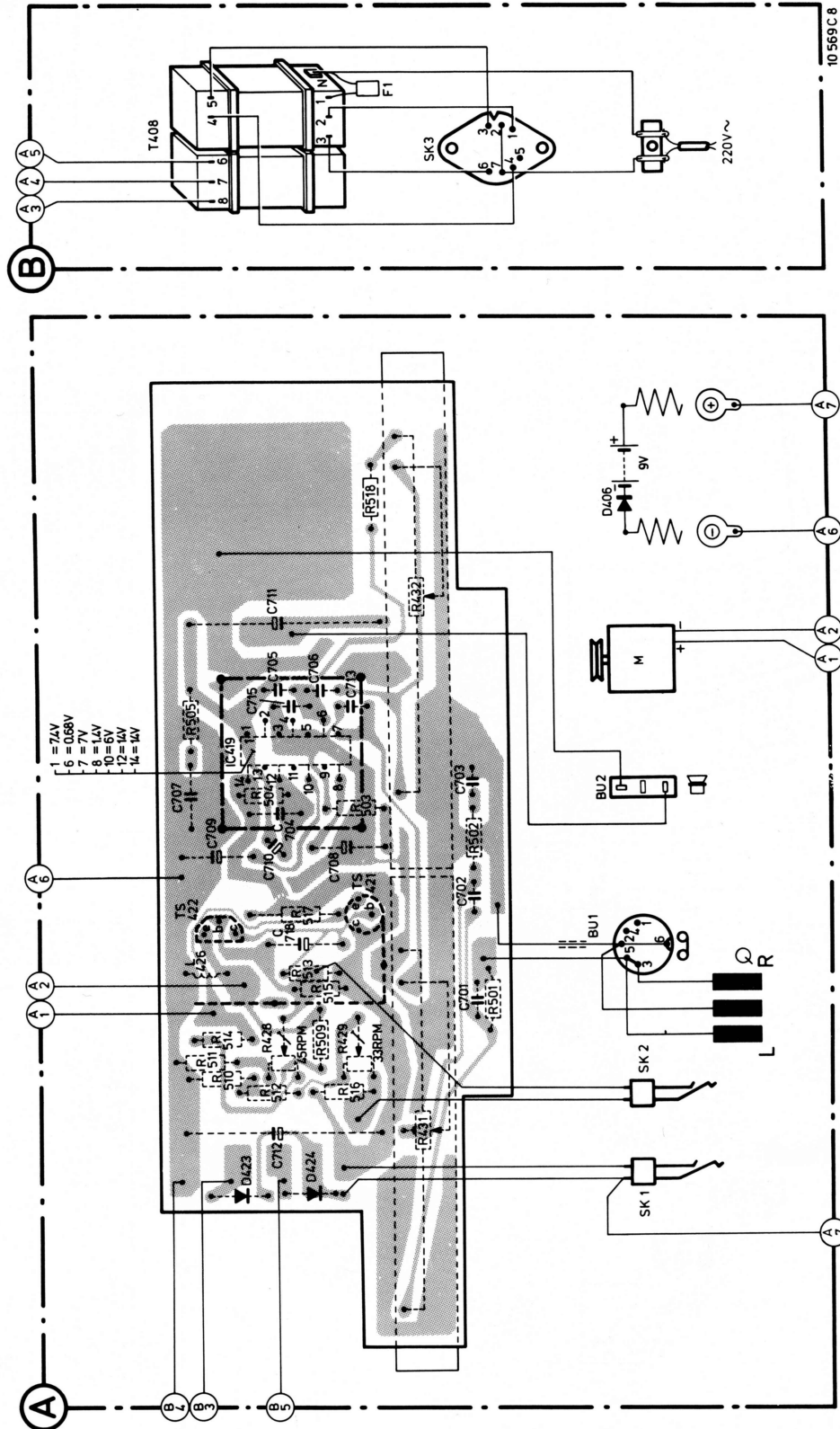


Fig. 1

-TS-IC-		-R-		-SK-	
IC419	TBA641B12	R428	100 Ω (lin)	SK3	4822 272 10083
TS421	AC187	R429	2k2 (lin)		
TS422	BC548B	R431	220k (log)	-Miscellaneous-	
		R432	100k (spez)		
		R511	680 Ω - 0.4W ± 2%	T408	4822 145 40147
		R514	1k2 - 0.4W ± 2%	F1	4822 252 20007
				M	4822 361 20112
D406	BAX18	-L-S-			
D423, 424	BY206	L426	4 Ω		
		S403			

C	712	701	718 702 706-710 704 707 703	715 713 705 706 711	518
R	431 516 509-512 514 28 429 501 515 513 517	502 503 504	505	432	
MISC	SK 1 D423, 424	SK 2	L426 BU1 TS422, 421	BU2 IC419	M
				D406	SK 3 T408
					F1



- e b c TS422
- e b c TS421
- k D406
- k D423
- k D424
- IC419

Fig. 2